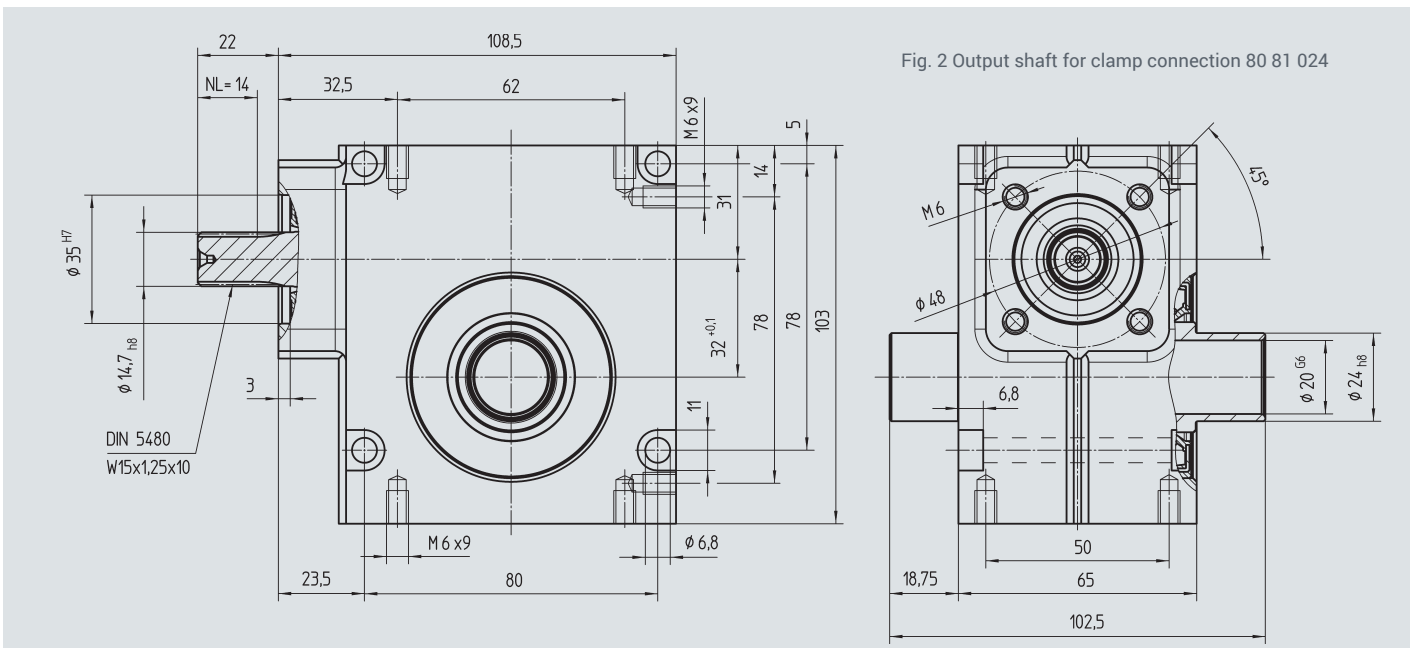
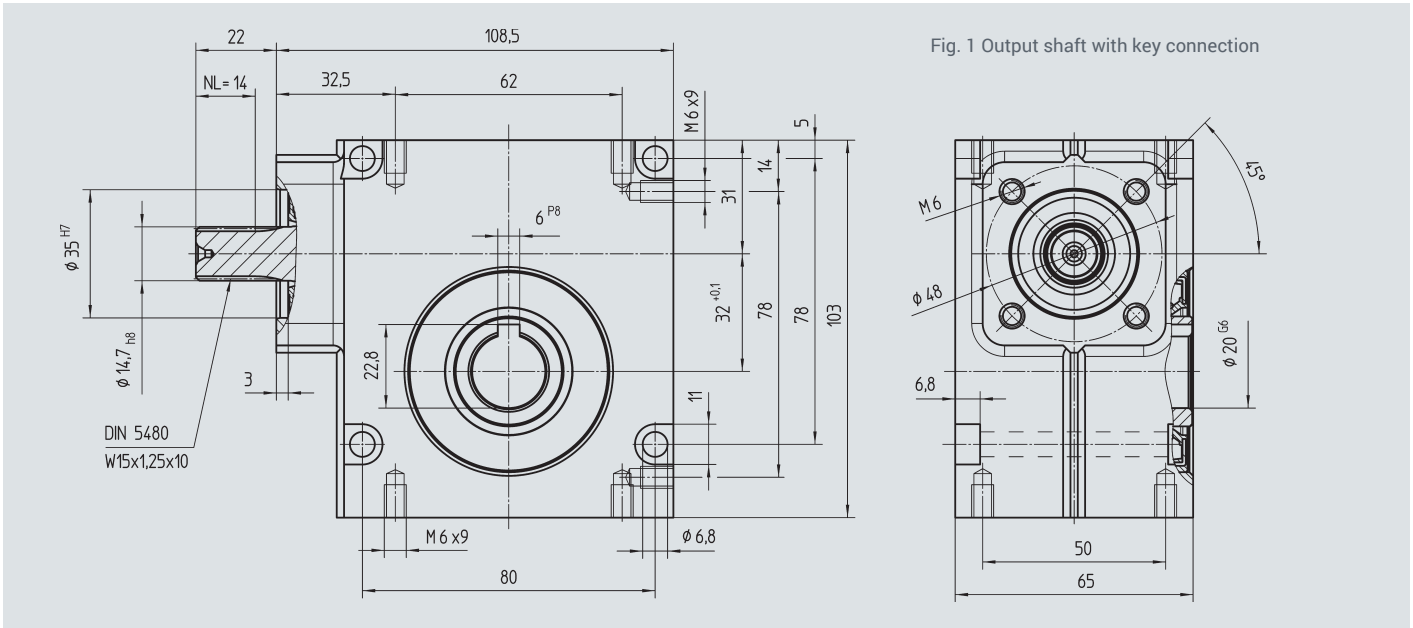


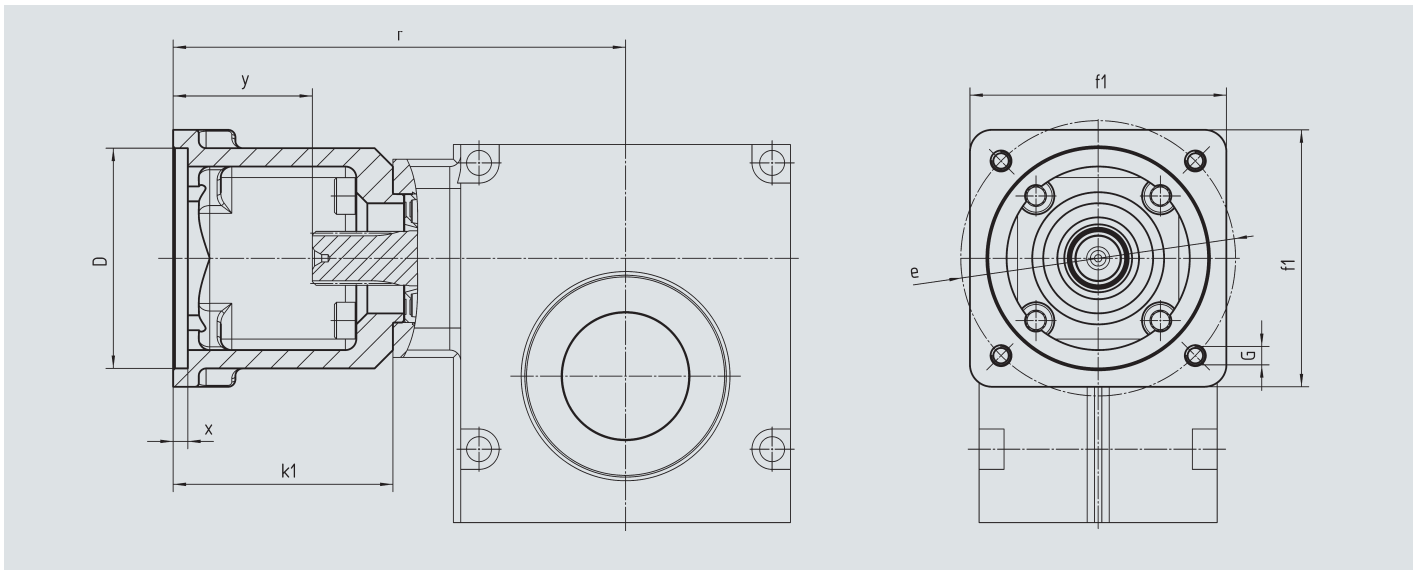
Center Distance  $a_0 = 32 \text{ mm}$



Order Code Fig. 1	Fig. 2	Ratio $i$	$J_{\text{red}}$ kg	$J_{\text{red}} 10^{-4} \text{ kg m}^2$
59 01 005	59 11 005	4.75	2.0	1.1109
59 01 007	59 11 007	6.75	2.0	1.0574
59 01 009	59 11 009	9.25	2.0	8.1272
59 01 015	59 11 015	14.50	2.0	8.4039
59 01 020	59 11 020	19.50	2.0	6.9016
59 01 029	59 11 029	29.00	2.0	8.4475
59 01 039	59 11 039	39.00	2.0	7.0256
59 01 050	59 11 050	50.00	2.0	6.4653

With food grade oil: Order Code 59 01 1xx / 59 11 1xx  
 In ATEX with food grade oil: Order Code 59 01 2xx / 59 11 2xx

Motor Flange



Center Distance  $a_0 = 32$  mm

Order Code	D <sup>G7</sup>	k <sub>1</sub>	r	x	y	f <sub>1</sub>	e	G	kg
<b>65 59 101</b>	40.0	56.5	120.0	2.5	34.5	60	63	M5	0.26
<b>65 59 102</b>	50.0	64.0	127.5	4.0	42.0	60	70	M5	0.29
<b>65 59 103</b>	60.0	60.0	123.5	3.5	38.0	70	75	M5	0.28
<b>65 59 104</b>	80.0	64.0	127.5	4.5	42.0	85	100	M6	0.30
<b>65 59 105</b>	60.0	64.0	127.5	4.5	42.0	85	90	M5	0.30
<b>65 59 107</b>	40.0	56.5	120.0	2.5	34.5	60	63	M4	0.31
<b>65 59 108</b>	70.0	64.0	127.5	5.0	42.0	85	90	M6	0.26

An order should contain gearbox 59 01 0xx / 59 11 0xx and flange 65 59 1xx