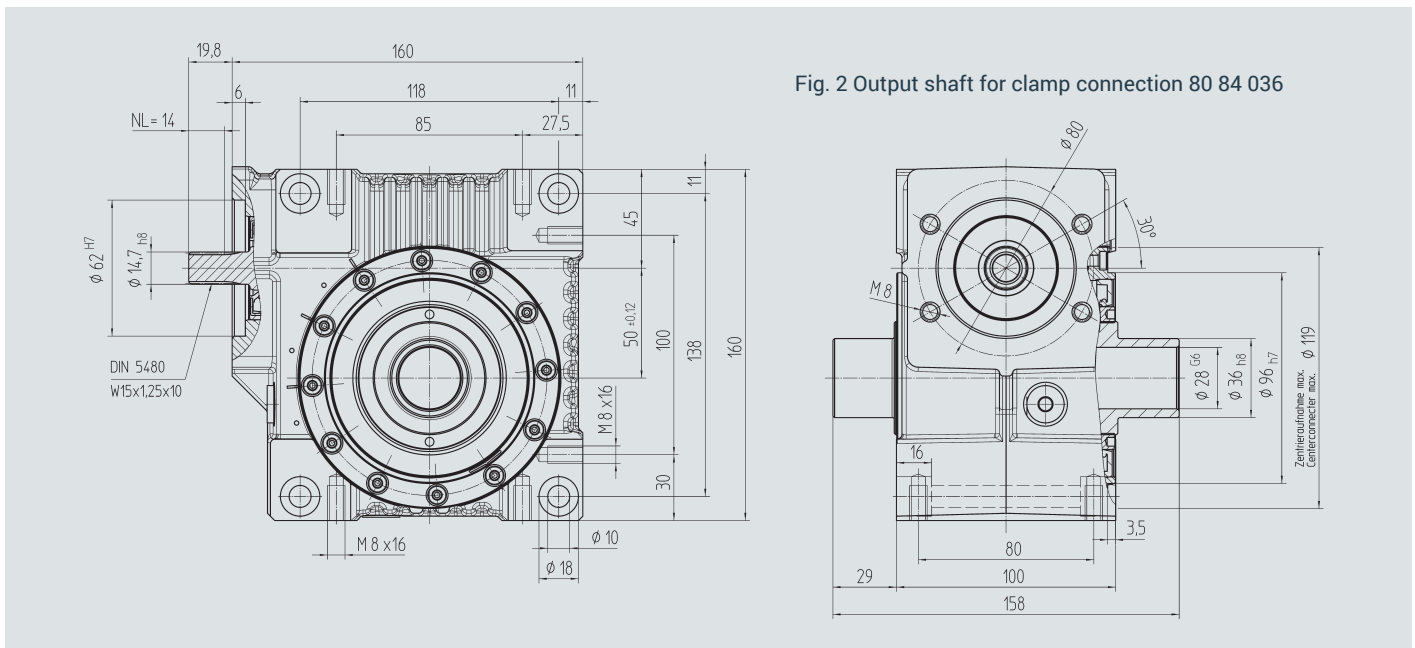
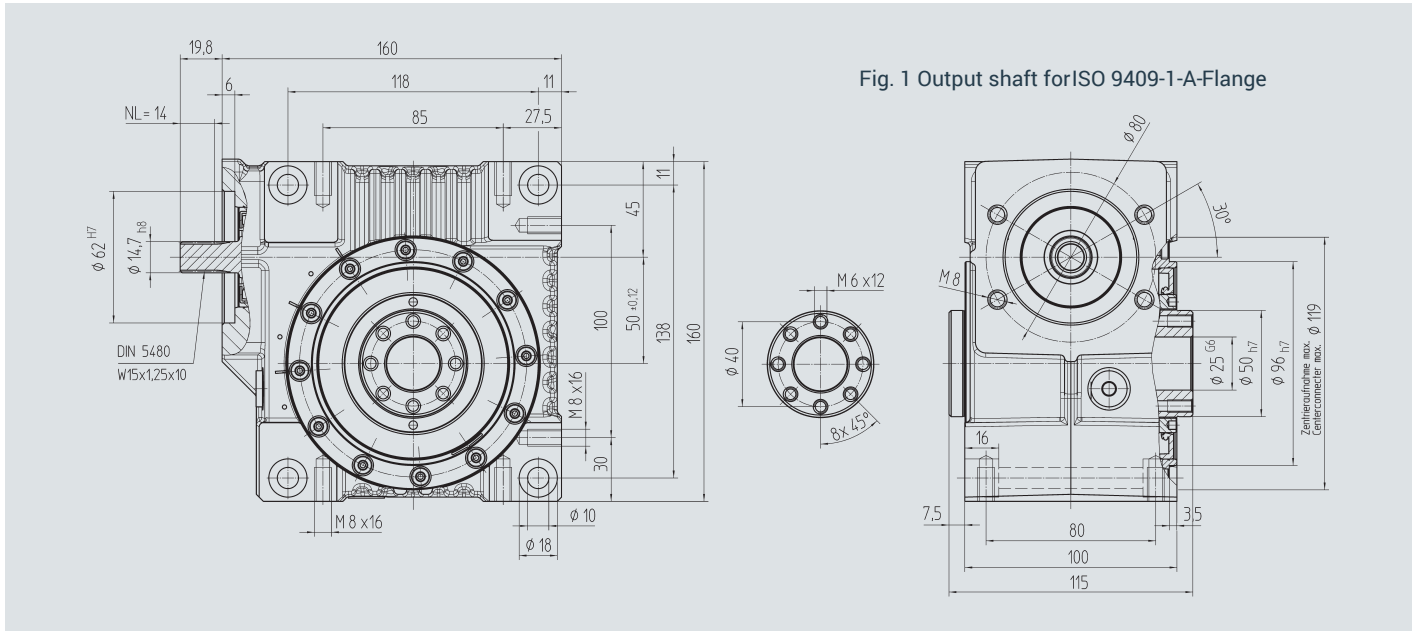


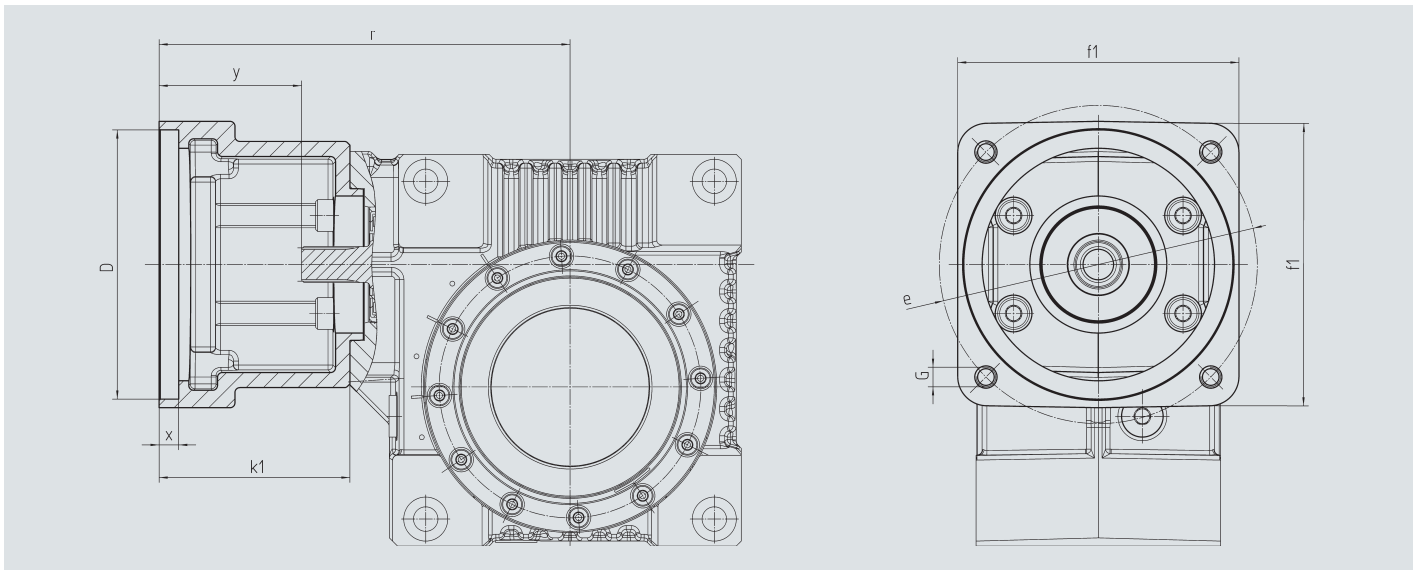
Center Distance $a_0 = 50$ mm



Order Code Fig. 1	Fig. 2	Ratio i	J_{red}	10^{-4} kg m^2
98 03 005	98 13 005	4.75	7.0	0.8280
98 03 007	98 13 007	6.75	7.0	0.4140
98 03 009	98 13 009	9.25	7.0	0.3490
98 03 015	98 13 015	14.50	7.0	0.2800
98 03 020	98 13 020	19.50	7.0	0.1960
98 03 029	98 13 029	29.00	7.0	0.2694
98 03 039	98 13 039	39.00	7.0	0.2310
98 03 050	98 13 050	50.00	7.0	0.2140

With food grade oil: Order code 98 03 1xx / 98 13 1xx
 In ATEX with food grade oil: Order code 98 03 2xx / 98 13 2xx

Motor Flange


 Center Distance $a_0 = 50$ mm

Order Code	D ^{G7}	k ₁	r	x	y	f ₁	e	G	kg
65 59 301	95.0	62	152	12.5	42	100	115	M8	0.60
65 59 302	50.0	62	152	10.0	42	100	70; 95; 115	M4; M6; M8	0.70
65 59 303	80.0	62	152	10.0	42	100	100	M6	0.65
65 59 304	95.0	78	168	10.0	58	115	130	M8	0.80
65 59 306	60.0	74	164	21.0	54	100	75; 90; 115	M5; M5; M8	0.90
65 59 307	70.0	70	160	21.0	50	100	90; 115	M6; M8	0.80
65 59 401	95.0	73	163	8.0	53	100	115	M8	0.75
65 59 402	110.0	78	168	8.0	58	115	130	M8	0.80
65 59 403	95.0	73	163	12.0	53	115	130	M8	0.75
65 59 404	110.0	73	163	12.0	53	115	130	M8	0.70
65 59 405	95.0	78	168	11.0	58	140	165	M10	1.20
65 59 406	110.0	78	168	11.0	58	140	165	M10	1.15
65 59 407	130.0	78	168	11.0	53	140	165	M10	1.00
65 59 409	130.0	98	188	14.0	78	140	165	M10	1.10
65 59 410	110.0	74	164	8.0	54	120	145	M8	1.00
65 59 411	110.0	84	174	8.0	64	120	145	M8	1.20
65 59 412	114.3	105	195	8.0	85	180	200	M12	3.70
65 59 413	114.3	139	229	8.0	119	180	200	M12	3.35
65 59 414	114.3	91	181	8.0	71	180	200	M12	2.65
65 59 415	110.0	89	179	8.0	69	120	145	M8	1.30

An order should contain gearbox 98 03 0xx / 98 13 0xx and flange 65 59 3xx or 4xx.