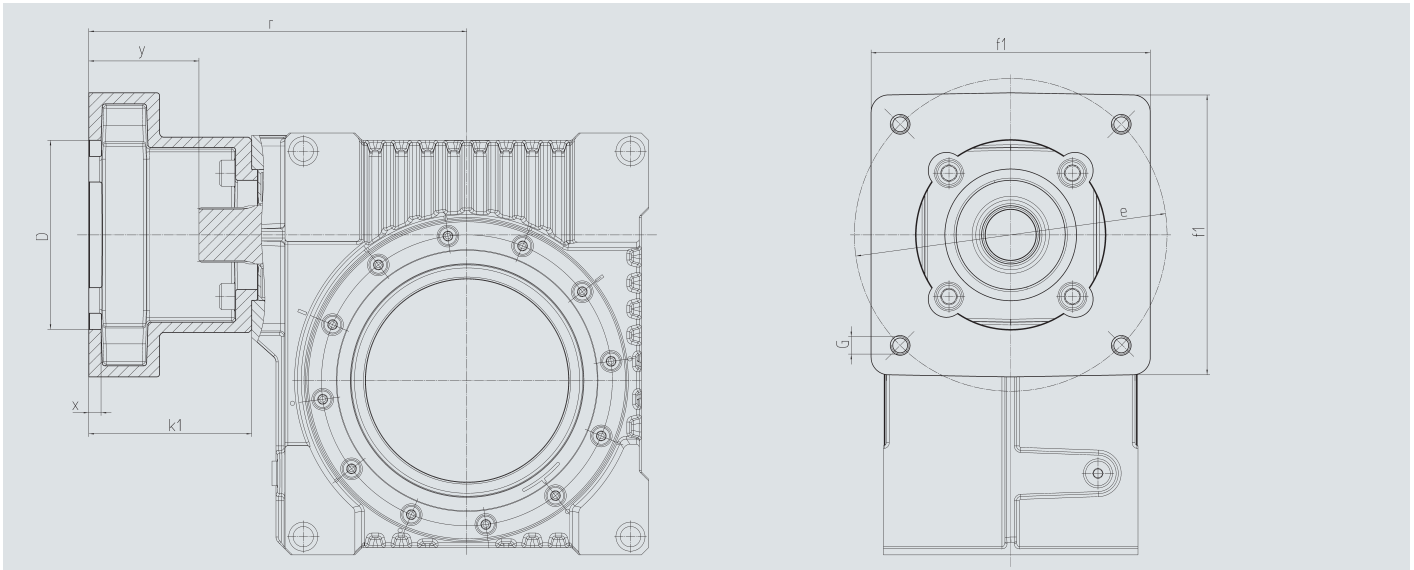


Motor Flange



Center Distance $a_0 = 100$ mm

Order Code	D^{G7}	k_1	r	x	y	f_1	e	G	T kg
65 59 501	110.0	92.0	240.0	8.0	55.0	140	165	M10	2.00
65 59 502	130.0	92.0	240.0	8.0	55.0	140	165	M10	1.90
65 59 503	180.0	122.0	270.0	8.0	85.0	192	215	M12	3.40
65 59 504	180.0	127.0	275.0	8.0	90.0	192	215	M12	3.80
65 59 505	180.0	112.0	260.0	10.0	75.0	192	215	M12	2.70
65 59 506	130.0	112.0	260.0	10.0	75.0	192	215	M12	3.00
65 59 507	130.0	112.0	260.0	10.0	75.0	140	165	M10	2.50
65 59 508	110.0	90.0	238.0	8.0	53.0	140	145	M8	2.00
65 59 509	110.0	108.5	256.5	8.0	71.5	140	145	M8	2.50
65 59 510	114.3	129.5	277.5	8.0	92.5	180	200	M12	5.00
65 59 511	114.3	163.5	311.5	8.0	126.5	180	200	M12	4.20
65 59 512	114.3	105.5	253.5	8.0	68.5	180	200	M12	3.50
65 59 513	110.0	113.5	253.5	8.0	76.5	140	145	M8	2.70

An order should contain gearbox 98 06 0xx / 98 16 0xx and flange 65 59 5xx.