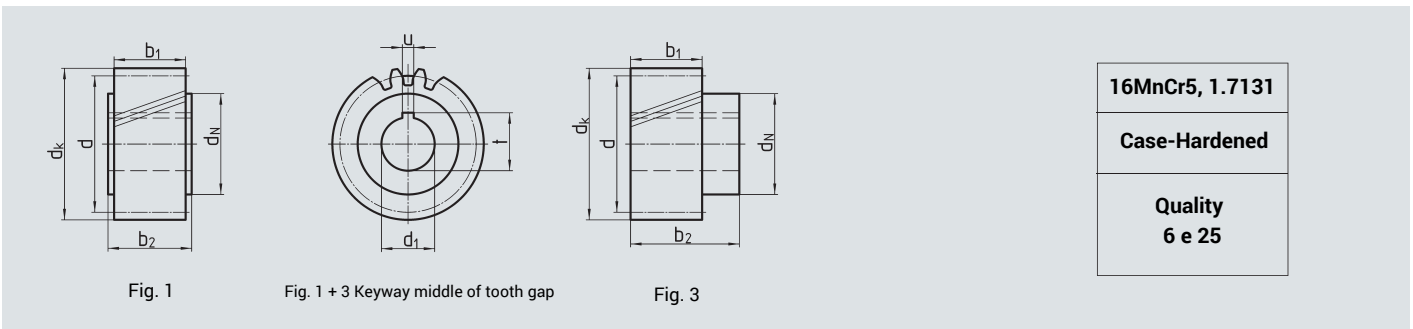


Helical-Tooth Pinion, 19° 31' 42" left-hand, with bore ØH6 and keyway acc. to DIN 6885

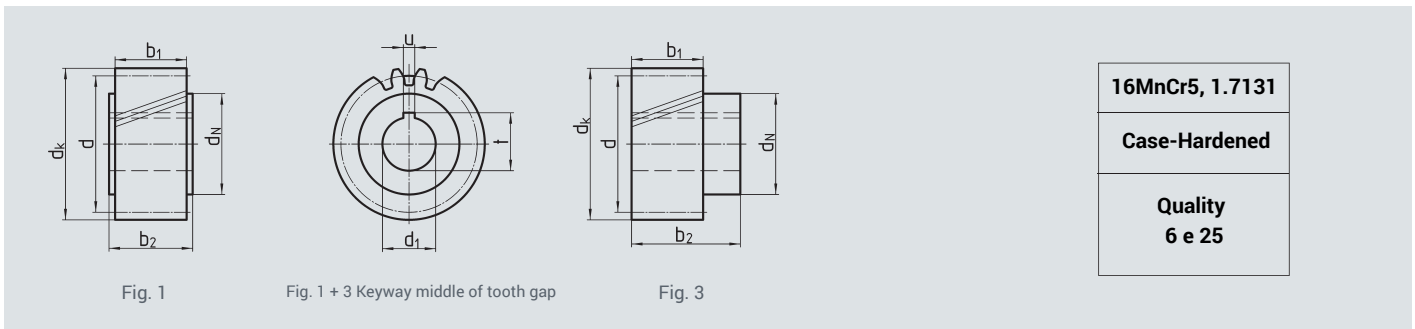


Order Code	Fig.	N° of Teeth z	d (=d _{wz})	d*PI	d _k	d ₁ ^{H6}	d _N	b ₁	b ₂	u	t	kg	Couplings on Page C-76
Module 1.5													
24 11 520 ¹⁾	1	20	31.83	100.00	34.83	11	25	20	22	4	12.8	0.13	
24 14 520 ¹⁾	1	20	31.83	100.00	34.83	14	25	20	22	5	16.3	0.13	
24 16 520 ¹⁾	1	20	31.83	100.00	34.83	16	25	20	22	5	18.3	0.13	
24 16 321 ¹⁾	3	21	33.42	105.00	36.42	16	30	20	46	5	18.3	0.15	80 83 030
Module 2													
24 26 518	1	18	38.197	120.00	42.2	16	25	28	30	5	18.3	0.2	
24 29 520	1	20	42.44	133.33	46.4	19*	30	28	30	6	21.8	0.3	
24 29 320	3	20	42.44	133.33	46.4	19*	30	28	56	6	21.8	0.3	80 83 030
24 22 520	1	20	42.44	133.33	46.4	20	30	28	30	6	22.8	0.3	
24 20 320	3	20	42.44	133.33	46.4	22*	36	28	56	6	24.8	0.3	80 84 036
24 23 520	1	20	42.44	133.33	46.4	22	30	28	30	6	24.8	0.3	
24 26 521	1	21	44.56	140.00	48.6	16	25	28	30	5	18.3	0.3	
24 20 321	3	21	44.56	140.00	48.6	22	36	28	56	6	24.8	0.2	80 84 036
24 29 522	1	22	46.69	146.67	50.7	19*	30	28	30	6	21.8	0.2	
24 29 322	3	22	46.69	146.67	50.7	19*	30	28	56	6	21.8	0.4	80 83 030
24 20 522	1	22	46.69	146.67	50.7	22*	30	28	30	6	24.8	0.3	
24 20 322	3	22	46.69	146.67	50.7	22*	36	28	56	6	24.8	0.4	80 84 036
24 29 525	1	25	53.05	166.67	57.1	19*	30	28	30	6	21.8	0.4	
24 29 325	3	25	53.05	166.67	57.1	19*	30	28	56	6	21.8	0.5	80 83 030
24 22 525	1	25	53.05	166.67	57.1	20	30	28	30	6	22.8	0.4	
24 20 525	1	25	53.05	166.67	57.1	22*	30	28	30	6	24.8	0.3	
24 20 325	3	25	53.05	166.67	57.1	22*	36	28	56	6	24.8	0.5	80 84 036
24 23 525	1	25	53.05	166.67	57.1	25	36	28	30	8	28.3	0.4	
24 29 528	1	28	59.42	186.67	63.4	19*	30	28	30	6	21.8	0.4	
24 29 328	3	28	59.42	186.67	63.4	19*	30	28	56	6	21.8	0.6	80 83 030
24 20 528	1	28	59.42	186.67	63.4	22*	30	28	30	6	24.8	0.4	
24 20 328	3	28	59.42	186.67	63.4	22*	36	28	56	6	24.8	0.7	80 84 036
24 25 528	1	28	59.42	186.67	63.4	35	48	28	30	10	38.3	0.4	
24 26 530	1	30	63.66	200.00	67.7	16	25	28	30	5	18.3	0.7	
24 22 530	1	30	63.66	200.00	67.7	20	30	28	30	6	22.8	0.6	
24 20 330	3	30	63.66	200.00	67.7	22	36	28	56	6	24.8	0.6	80 84 036
24 23 530	1	30	63.66	200.00	67.7	25	36	28	30	8	28.3	0.8	
24 24 530	1	30	63.66	200.00	67.7	30	45	28	30	8	33.3	0.6	
24 22 330	3	30	63.66	200.00	67.7	30	50	28	60	8	33.3	0.8	80 85 050
24 23 330	3	30	63.66	200.00	67.7	32	55	28	65	10	35.3	0.8	80 80 055
24 22 532	1	32	67.91	213.33	71.9	20	30	28	30	6	22.8	0.8	
24 20 532	1	32	67.91	213.33	71.9	22*	30	28	30	6	24.8	0.7	
24 20 332	3	32	67.91	213.33	71.9	22*	36	28	56	6	27.8	0.9	80 84 036
24 23 532	1	32	67.91	213.33	71.9	25	36	28	30	8	28.3	0.7	
24 25 532	1	32	67.91	213.33	71.9	35	48	28	30	10	38.3	0.6	
24 25 536	1	36	76.39	240.00	80.4	35	48	28	30	10	38.3	0.8	
24 23 339	3	39	82.76	260.00	86.8	32	55	28	65	10	35.3	1.3	80 80 055
24 25 540	1	40	84.88	266.67	88.9	35	48	28	30	10	38.3	1.1	

* Bore tolerance G6

¹⁾ Tooth quality 6 f 24

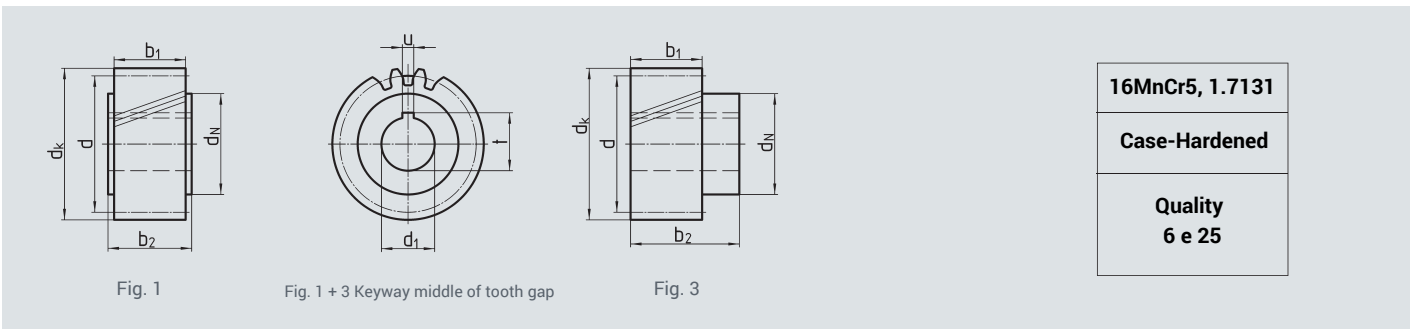
Helical-Tooth Pinion, 19° 31' 42" left-hand, with bore ØH6 and keyway acc. to DIN 6885



Order Code	Fig.	N° of Teeth z	d (=d _{wz})	d*PI	d _k	d ₁ ^{H6}	d _N	b ₁	b ₂	u	t	kg	Couplings on Page C-76
Module 3													
24 30 320	3	20	63.66	200.00	69.7	22	36	28	56	6	24.8	0.6	80 84 036
24 31 320	3	20	63.66	200.00	69.7	25	44	28	60	8	28.3	0.7	80 80 044
24 34 520	1	20	63.66	200.00	69.7	30	45	28	30	8	33.3	0.8	
24 32 320	3	20	63.66	200.00	69.7	30	50	28	60	8	33.3	0.8	80 85 050
24 33 320	3	20	63.66	200.00	69.7	32	55	28	65	10	35.3	0.8	80 80 055
24 35 520	1	20	63.66	200.00	69.7	35	48	28	30	10	38.3	0.7	
24 33 522	1	22	70.03	220.00	76.0	25	36	28	30	8	28.3	0.8	
24 34 522	1	22	70.03	220.00	76.0	30	45	28	30	8	33.3	0.7	
24 33 322	3	22	70.03	220.00	76.0	32*	55	28	65	10	35.3	1.0	80 80 055
24 35 522	1	22	70.03	220.00	76.0	35	48	28	30	10	38.3	0.7	
24 35 322	3	22	70.03	220.00	76.0	40*	62	28	65	12	43.3	1.0	80 86 062
24 30 325	3	25	79.58	250.00	85.6	22	36	28	56	6	24.8	1.0	80 84 036
24 33 525	1	25	79.58	250.00	85.6	25	36	28	30	8	28.3	1.0	
24 31 325	3	25	79.58	250.00	85.6	25	44	28	60	8	28.3	1.1	80 80 044
24 34 525	1	25	79.58	250.00	85.6	30	45	28	30	8	33.3	1.0	
24 32 325	3	25	79.58	250.00	85.6	30	50	28	60	8	33.3	1.2	80 85 050
24 33 325	3	25	79.58	250.00	85.6	32	55	28	65	10	35.3	1.2	80 80 055
24 35 525	1	25	79.58	250.00	85.6	35	48	28	30	10	38.3	0.9	
24 34 325	3	25	79.58	250.00	85.6	35	55	28	65	10	38.3	1.1	80 80 055
24 36 525	1	25	79.58	250.00	85.6	40	70	28	50	12	43.3	1.1	
24 35 325	3	25	79.58	250.00	85.6	40*	62	28	65	12	43.3	1.1	80 86 062
24 33 328	3	28	89.13	280.00	95.1	32*	55	28	65	10	35.3	1.1	80 80 055
24 35 328	3	28	89.13	280.00	95.1	40*	62	28	65	12	43.3	1.1	80 86 062
24 33 332	3	32	101.86	320.00	107.85	32*	55	28	65	10	35.3	2.1	80 80 055
24 35 332	3	32	101.86	320.00	107.85	40*	62	28	65	12	43.3	2.1	80 86 062

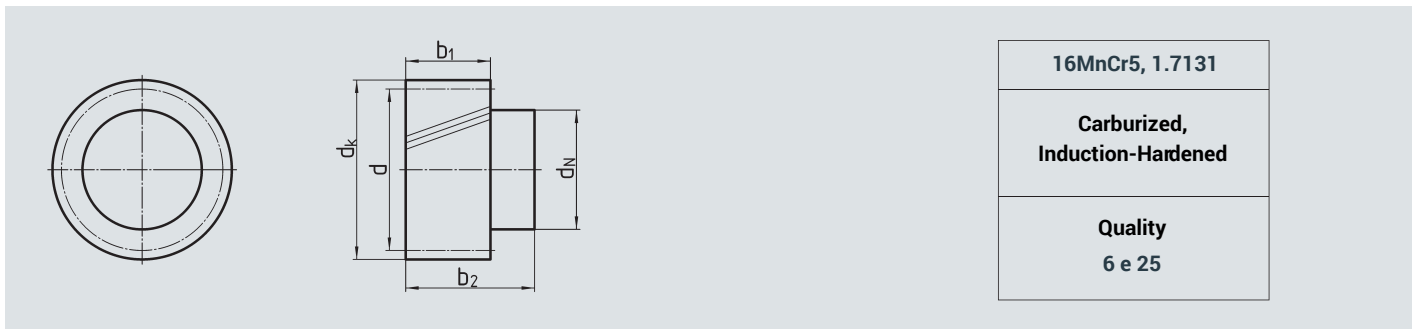
* Bore tolerance G6

Helical-Tooth Pinion, 19° 31' 42" left-hand, with bore ØH6 and keyway acc. to DIN 6885



Order Code	Fig.	N° of Teeth z	d (=d _{wz})	d*PI	d _k	d ₁ ^{H6}	d _N	b ₁	b ₂	u	t	T kg	Couplings on Page C-76
Module 4													
24 45 515	1	15	63.66	200.00	71.7	35	52	40	50	10	38.3	1.4	
24 43 318	3	18	76.39	240.00	84.4	32	55	40	75	10	35.3	1.5	80 80 055
24 45 520	1	20	84.88	266.67	92.9	35	52	40	50	10	38.3	1.9	
24 47 520	1	20	84.88	266.67	92.9	45	65	40	50	14	48.8	1.6	
24 43 321	3	21	89.13	280.00	97.1	32	55	40	75	10	35.3	2.0	80 80 055
24 44 321	3	21	89.13	280.00	97.1	35	55	40	75	10	38.3	1.9	80 80 055
24 45 321	3	21	89.13	280.00	97.1	40	62	40	75	12	43.3	1.9	80 86 062
24 46 321	3	21	89.13	280.00	97.1	45	68	40	75	14	48.8	1.7	80 80 068
24 45 522	1	22	93.37	293.33	101.4	35	52	40	50	10	38.3	2.3	
24 47 522	1	22	93.37	293.33	101.4	45	65	40	50	14	48.8	2.0	
24 43 324	3	24	101.86	320.00	109.9	32	55	40	75	10	35.3	2.6	80 80 055
24 44 324	3	24	101.86	320.00	109.9	35	55	40	75	10	38.3	2.5	80 80 055
24 45 324	3	24	101.86	320.00	109.9	40	62	40	75	12	43.3	2.5	80 86 062
24 46 324	3	24	101.86	320.00	109.9	45	68	40	75	14	48.8	2.3	80 80 068
24 47 324	3	24	101.86	320.00	109.9	55	80	40	80	16	59.3	2.4	80 87 080
24 45 525	1	25	106.10	333.33	114.1	35	52	40	50	10	38.3	3.1	
24 47 525	1	25	106.10	333.33	114.1	45	65	40	50	14	48.8	2.8	
24 47 325	3	25	106.10	333.33	114.1	55	80	40	80	16	59.3	2.9	80 87 080
Module 5													
24 56 318	3	18	95.49	300.00	105.5	45	68	50	85	14	48.8	2.7	80 80 068
24 56 324	3	24	127.32	400.00	137.3	45	68	50	85	14	48.8	4.9	80 80 068
24 57 324	3	24	127.32	400.00	137.3	55	80	50	90	16	59.3	4.9	80 87 080
24 58 324	3	24	127.32	400.00	137.3	75	110	50	110	20	79.9	5.6	80 80 110
Module 6													
24 67 320	3	20	127.32	400.00	139.3	55	80	60	100	16	59.3	5.7	80 87 080
24 68 320	3	20	127.32	400.00	139.3	75	110	60	120	20	79.9	6.3	80 80 110
24 67 325	3	25	159.16	500.00	171.2	55	80	60	100	16	59.3	9.0	80 87 080
24 68 325	3	25	159.16	500.00	171.2	75	110	60	120	20	79.9	9.6	80 80 110
Module 8													
24 88 318	3	18	152.79	480.00	168.8	75	110	80	140	20	79.9	10.8	80 80 110
24 89 320	3	20	169.80	533.44	185.8	85	125	80	145	22	90.4	13.6	80 80 125
Module 10													
24 09 720	3	20	212.21	666.68	232.2	85	125	100	165	22	90.4	26.2	80 80 125

Helical-Tooth Pinion, 19° 31' 42" left-hand, with plain bore



Order Code	Module	N° of Teeth z	d (=d _{wz})	d*PI	d _k	d _N	b ₁	b ₂	kg	Couplings on Page C-76
24 99 121	1.5	21	33.42	105.00	36.4	30	20	46	0.3	80 83 030
24 99 218	2	18	38.20	120.00	42.2	30	28	56	0.3	80 83 030
24 99 220	2	20	42.44	133.33	46.4	30	28	56	0.4	80 83 030
24 99 222	2	22	46.69	146.67	50.7	36	28	56	0.5	80 84 036
24 99 225	2	25	53.05	166.67	57.1	44	28	60	0.8	80 80 044
24 99 228	2	28	59.42	186.67	63.4	50	28	60	1.0	80 85 050
24 99 230	2	30	63.66	200.00	67.7	50	28	60	1.1	80 85 050
24 99 232	2	32	67.91	213.33	71.9	55	28	65	1.4	80 80 055
24 99 318	3	18	57.30	180.00	63.3	44	28	60	0.8	80 80 044
24 99 320	3	20	63.66	200.00	69.7	50	28	60	1.0	80 85 050
24 99 322	3	22	70.03	220.00	76.0	55	28	65	1.4	80 80 055
24 99 325	3	25	79.58	250.00	85.6	62	28	65	1.8	80 86 062
24 99 328	3	28	89.13	280.00	95.1	68	28	65	2.3	80 80 068
24 99 418	4	18	76.39	240.00	84.4	62	40	77	2.0	80 86 062
24 99 420	4	20	84.88	266.67	92.9	62	40	77	2.4	80 86 062
24 99 421	4	21	89.13	280.00	97.1	68	40	77	2.8	80 80 068
24 99 422	4	22	93.37	293.33	101.4	68	40	77	2.9	80 80 068
24 99 424	4	24	101.86	320.00	109.9	80	40	80	3.9	80 87 080
24 99 425	4	25	106.10	333.33	114.1	80	40	80	4.0	80 87 080
24 99 522	5	22	116.71	366.67	126.7	80	50	90	5.5	80 87 080
24 99 524	5	24	127.32	400.00	137.3	110	50	110	9.6	80 80 110
24 99 525	5	25	132.63	416.67	142.6	110	50	110	9.1	80 80 110
24 99 620	6	20	127.32	400.00	139.3	110	60	120	9.7	80 80 110
24 99 820 ¹⁾	8	20	169.77	533.33	185.8	125	80	145	19.4	80 80 125

¹⁾ With bore Ø 40^{H7}

The pinion could be fixed at d_k or d_N to be reworked.

Maximum bore diameter of the pinion on request.